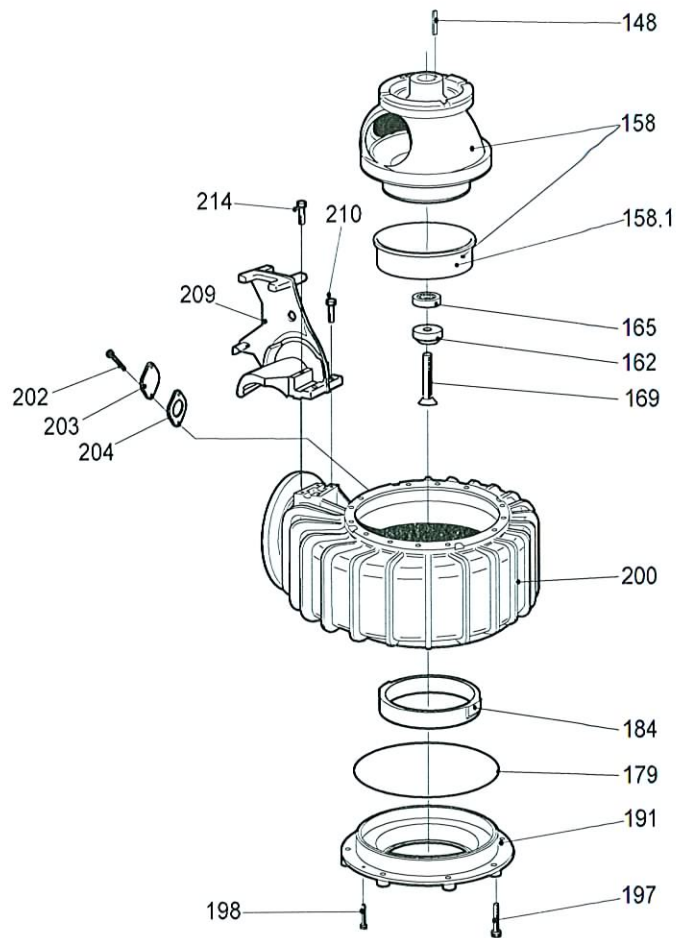


4.3 C_ MT

Curve: 632, 636, 638, 640 – 642, 644, 646, 648

CP 3300 MT



31555

