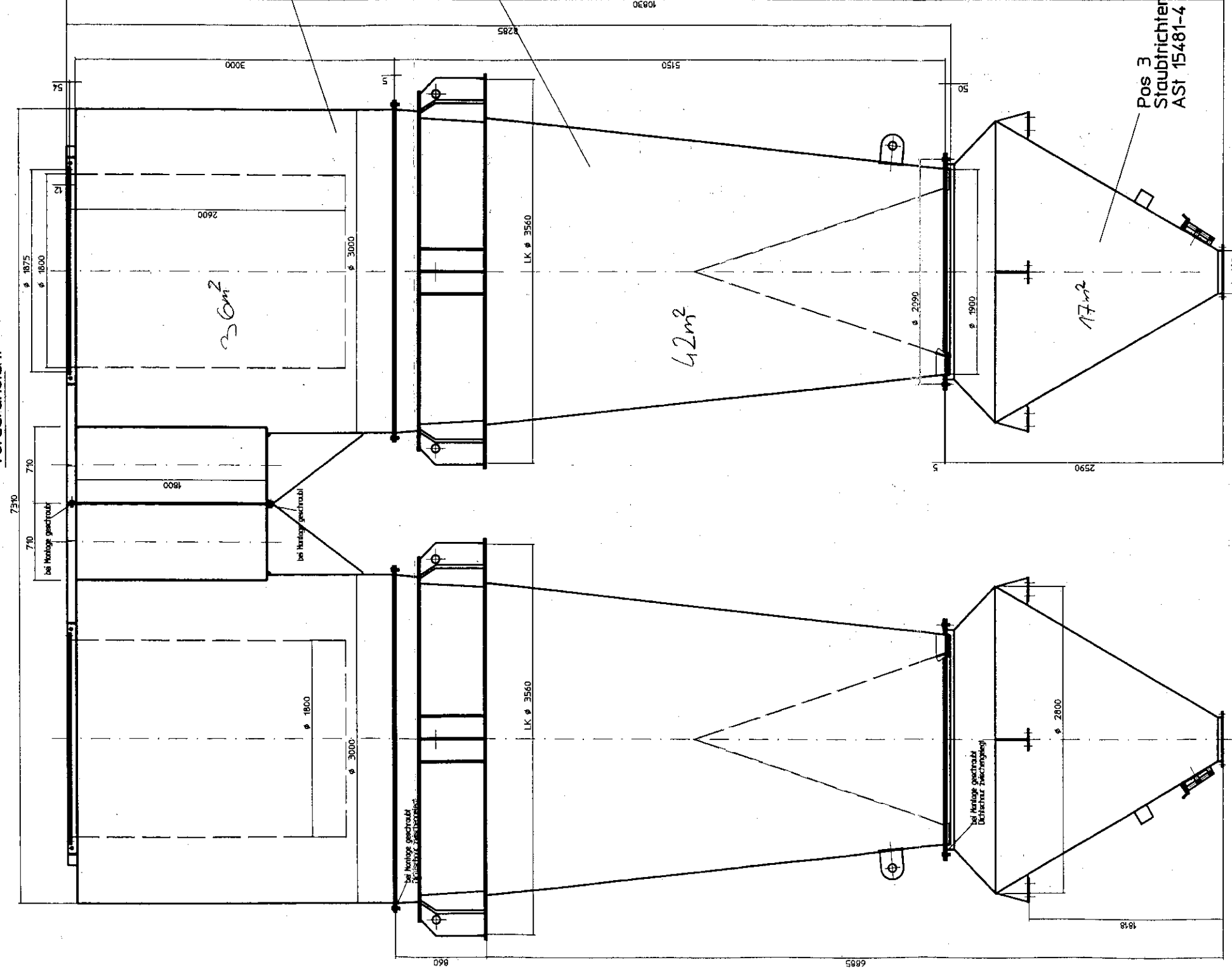
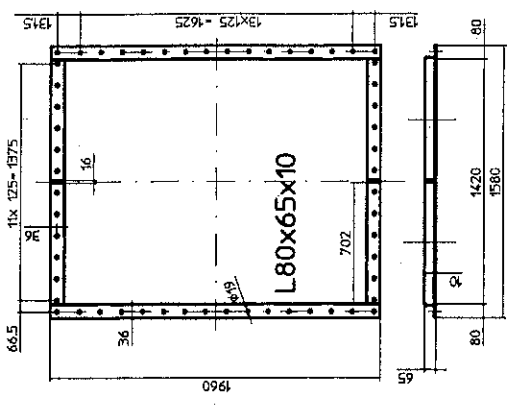
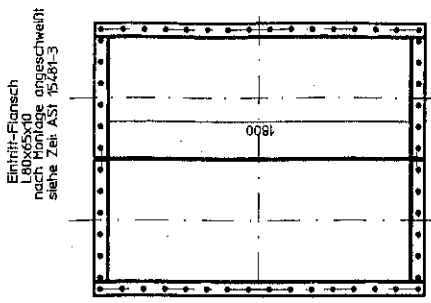
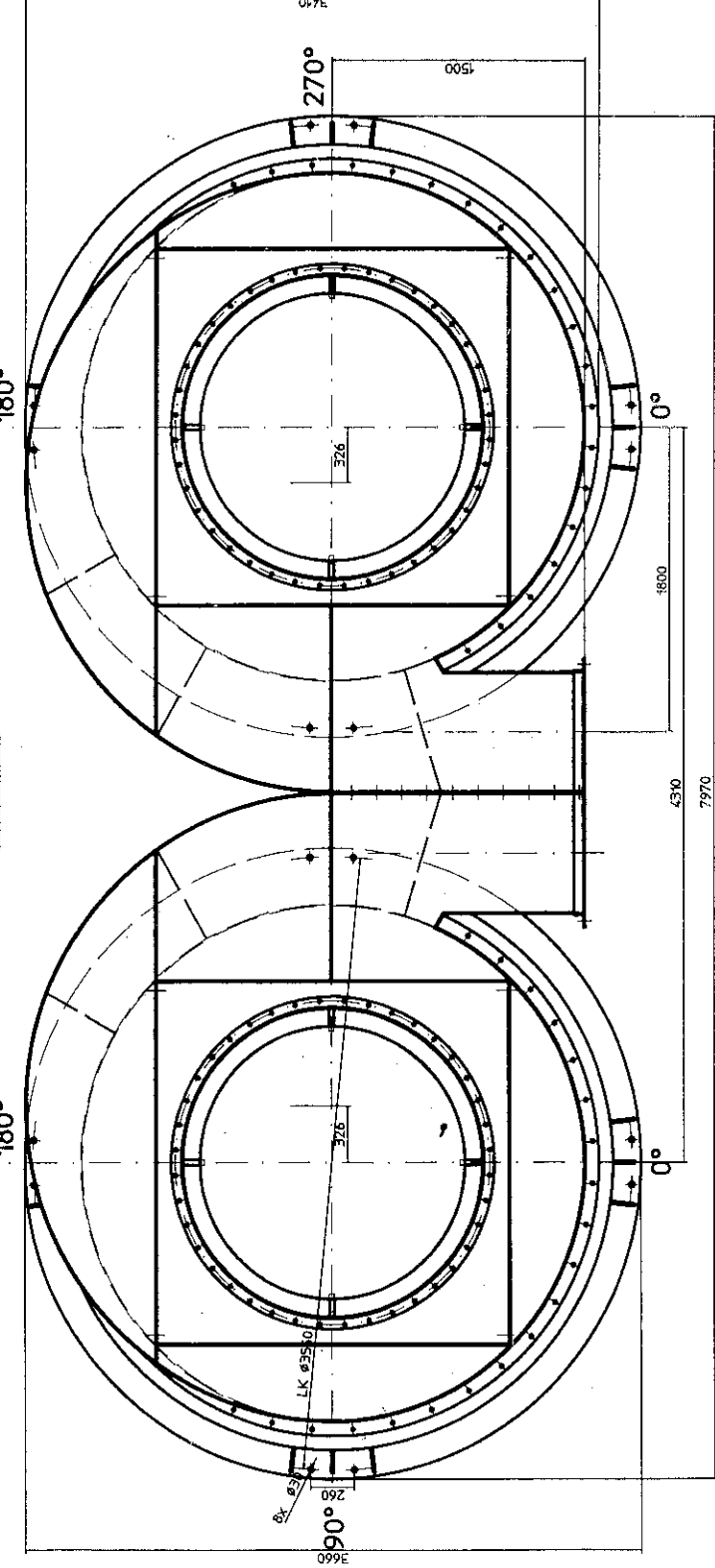


Vorderansicht

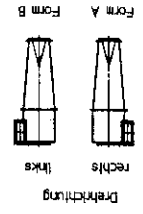


Draufsicht



Pos 1  
Gasausstritt  
AST 15481-3

Pos 2  
Konus  
AST 15481-5



! bei links ausgeführt

! bei rechts ausgeführt

AST 15481-3a	AST 15481-3b	AST 15481-3c	AST 15481-3d	AST 15481-3e	AST 15481-3f	AST 15481-3g	AST 15481-3h	AST 15481-3i	AST 15481-3j	AST 15481-3k	AST 15481-3l	AST 15481-3m	AST 15481-3n	AST 15481-3o	AST 15481-3p	AST 15481-3q	AST 15481-3r	AST 15481-3s	AST 15481-3t	AST 15481-3u	AST 15481-3v	AST 15481-3w	AST 15481-3x	AST 15481-3y	AST 15481-3z
--------------	--------------	--------------	--------------	--------------	--------------	--------------	--------------	--------------	--------------	--------------	--------------	--------------	--------------	--------------	--------------	--------------	--------------	--------------	--------------	--------------	--------------	--------------	--------------	--------------	--------------

Oberflächenbehandlung  
 Untergrund: gesandstrahlt St 2 (Handroststrahlung)  
 Anstrich: einfach kgum Aluhot Silber  
 hitzebeständig bis 200°C!

AST 15481-3a	AST 15481-3b	AST 15481-3c	AST 15481-3d	AST 15481-3e	AST 15481-3f	AST 15481-3g	AST 15481-3h	AST 15481-3i	AST 15481-3j	AST 15481-3k	AST 15481-3l	AST 15481-3m	AST 15481-3n	AST 15481-3o	AST 15481-3p	AST 15481-3q	AST 15481-3r	AST 15481-3s	AST 15481-3t	AST 15481-3u	AST 15481-3v	AST 15481-3w	AST 15481-3x	AST 15481-3y	AST 15481-3z
--------------	--------------	--------------	--------------	--------------	--------------	--------------	--------------	--------------	--------------	--------------	--------------	--------------	--------------	--------------	--------------	--------------	--------------	--------------	--------------	--------------	--------------	--------------	--------------	--------------	--------------

AST 15481-3a	AST 15481-3b	AST 15481-3c	AST 15481-3d	AST 15481-3e	AST 15481-3f	AST 15481-3g	AST 15481-3h	AST 15481-3i	AST 15481-3j	AST 15481-3k	AST 15481-3l	AST 15481-3m	AST 15481-3n	AST 15481-3o	AST 15481-3p	AST 15481-3q	AST 15481-3r	AST 15481-3s	AST 15481-3t	AST 15481-3u	AST 15481-3v	AST 15481-3w	AST 15481-3x	AST 15481-3y	AST 15481-3z
--------------	--------------	--------------	--------------	--------------	--------------	--------------	--------------	--------------	--------------	--------------	--------------	--------------	--------------	--------------	--------------	--------------	--------------	--------------	--------------	--------------	--------------	--------------	--------------	--------------	--------------

AST 15481-3a	AST 15481-3b	AST 15481-3c	AST 15481-3d	AST 15481-3e	AST 15481-3f	AST 15481-3g	AST 15481-3h	AST 15481-3i	AST 15481-3j	AST 15481-3k	AST 15481-3l	AST 15481-3m	AST 15481-3n	AST 15481-3o	AST 15481-3p	AST 15481-3q	AST 15481-3r	AST 15481-3s	AST 15481-3t	AST 15481-3u	AST 15481-3v	AST 15481-3w	AST 15481-3x	AST 15481-3y	AST 15481-3z
--------------	--------------	--------------	--------------	--------------	--------------	--------------	--------------	--------------	--------------	--------------	--------------	--------------	--------------	--------------	--------------	--------------	--------------	--------------	--------------	--------------	--------------	--------------	--------------	--------------	--------------