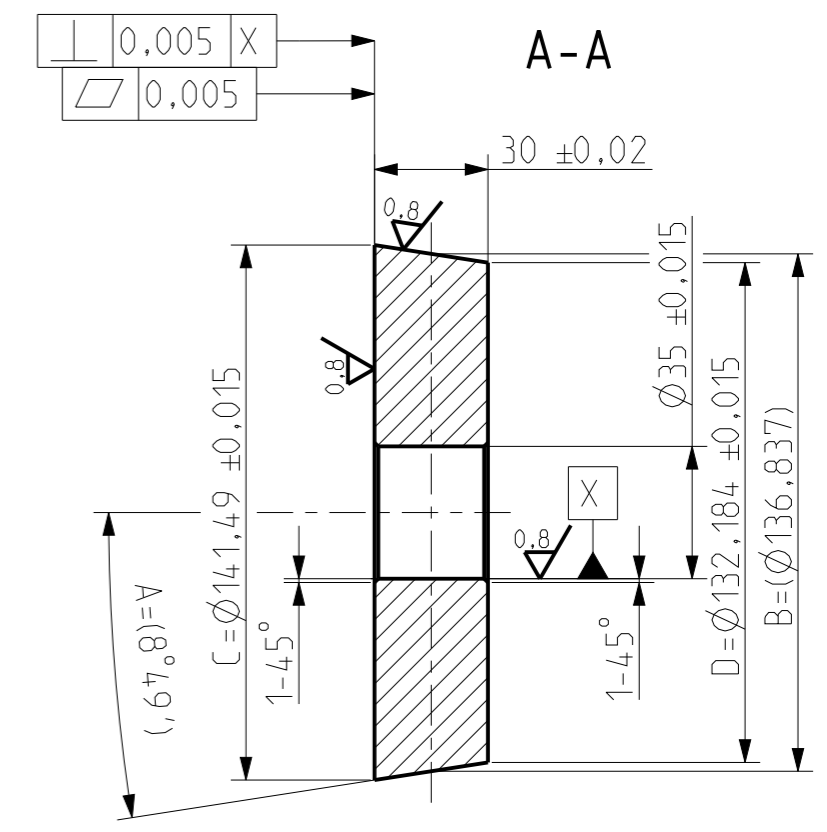
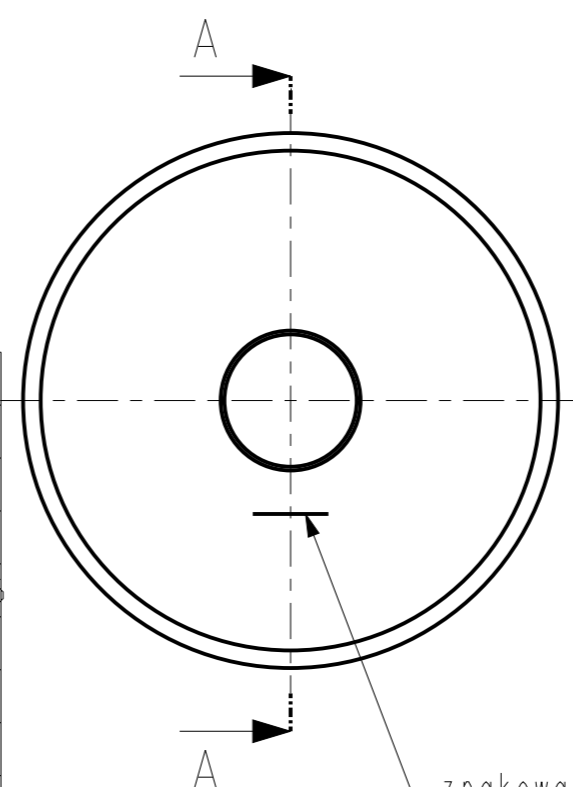


SPP-720-1_27	8°49'	136,837	141,49	132,184	
SPP-720-1_26	13°13'	212,965	220,011	205,919	IR-540049
SPP-720-1_25	13°26'	249,164	256,329	241,999	IR-544091
SPP-720-1_24	11°54'	211,113	217,435	204,791	BT1-0705
SPP-720-1_23	15°47'	236,355	244,835	227,875	R-BT1B 443786
SPP-720-1_22	9°28'	153,554	158,556	148,552	IR-BT1-1241
SPP-720-1_21	10°40'	158,052	163,702	152,402	IR-95525
SPP-720-1_20	9°4'	146,704	151,491	141,917	IR-BT1-1007
SPP-720-1_19	8°56'28"	109,89	114,61	105,17	IR-30317 A
SPP-720-1_18	17°52'	138,431	148,101	128,761	IR-H 924045
SPP-720-1_17	13°50'	150,046	157,433	142,659	IR-BT1-0390
SPP-720-1_16	15°24'	194,523	202,786	186,26	IR-T4DB 180
SPP-720-1_15	14°34'	131,926	139,722	124,13	IR-T4CB 120
SPP-720-1_14	12°59'	216,27	223,187	209,353	IR-87737
SPP-720-1_13	14°48'	192,548	200,474	184,622	IR-36990
SPP-720-1_12	11°40'	146,769	152,964	140,574	IR-L 327249
SPP-720-1_11	14°36'	184,665	192,479	176,851	IR-T4DB 170
SPP-720-1_10	14°19'	164,732	172,388	157,076	IR-T4DB 150
SPP-720-1_09	15°29'	210,786	219,096	202,476	IR-JM 738249
SPP-720-1_08	15°36'	153,55	161,926	145,174	IR-T4CB 140
SPP-720-1_07	16°35'	229,252	238,186	220,318	IR-67985
SPP-720-1_06	12°57'	140,534	147,432	133,636	IR-HM 624749
SPP-720-1_05	12°30'	161,622	168,273	154,971	IR-898
SPP-720-1_04	10°30'	236,401	241,961	230,841	IR-T2DC 220
SPP-720-1_03	12°34'	173,241	179,928	166,554	IR-L 432348
SPP-720-1_02	15°18'	156,454	164,661	148,247	IR-HH 926749
SPP-720-1_01	8°49'	136,837	141,49	132,184	IR-HH 224334



znakować: SPP-720-1-...

Ostre krawędzie stępić  
Nawęglac i hartować: HRC 53±2

Material 18NiCrMo5		Surface treatment/Obrobka pow. -		Surface texture/Chropowatość Ra 1,6/0,8	
Created by / Wykonal W. Holik		Checked by / Sprawdził A.Skorczyk		Approved by / Zatwierdził A.Skorczyk	
Toleranc.acc.to/Normy ISO 8015 ISO 2768-m-K		Product name / Nazwa produktu Master Ring Pierścień ustawczy		Mass/Masa 3,217	
The reproduction, distribution and utilization of this document as well as the communication of its content to others without express authorisation is prohibited. Offenders will be held liable for the payment of damages. All rights reserved in the event of the grant of patent, utility model or design.		Device name / Nazwa urządzenia MTE 360 DRD		Main scale Skala 1:2	
		CAD Model No / Numer rysunku 20P_3106493		First angle projection METRIC	
		Product designation / Cecha SPp-720-1-...		Date/Data wyd 2018-08-23	
				Page 1(2)   A3	